

Industrial Mercmaster™ LED Generation 3 Series Luminaires with Emergency Battery Backup

For Ordinary Locations

NEC/CEC:

CCSAus Listed

Type 3R, 4, 4X

IP66/IP67

Simultaneous Exposure

Suitable for Use in Wet Locations

Applications

- Powerful, efficient weatherproof lighting suitable for use in:
 - Warehouses
 - Storage facilities
 - Machine shops
 - Receiving areas
 - Manufacturing plants
 - Walkways and catwalks
 - Locations requiring IP66, Type 4X, marine and wet location
 - Locations requiring dependable, consistent lighting in extreme hot/cold temperature environments
 - Areas of low clearance, low ceiling heights or where fixture weights must be minimized
- Typical harsh industrial environments include:
 - Power generation plants
 - Foundries
 - Waste and sewage treatment plants
 - Steel and other metal processing facilities
 - Pulp and paper mills
 - Processing plants
 - Other areas where dust, water, dirt and rough usage are a problem

Features

- Provides up to 1400 lumens illumination for 90 minutes of emergency lighting with clear lens or 800 lumens illumination for 180 minutes of emergency lighting.

Standard Mode		Emergency Mode	
Nominal Lumens ①	HID Equivalent	Nominal Lumens ①	Model Number
3500	70-100W	1450	IMLGL3H
		800	IMLGL3E
5500	100-150W	1450	IMLGL5H
		800	IMLGL5E

① Nominal lumen value for 5000K, clear glass globe Type V Wide. Detailed lumen information is provided in tables.

- Functional diagnostic test self-initiates every 14 days after initial start up.
- Duration test is automatically performed once per year.
- Green and Red LED lights indicate charging status and provide fault warning.
- Simple quick disconnect connector disconnects power between LEDs and battery management module to allow maintenance in hazardous locations.
- Suitable for mounting heights up to 14 feet.
- Choice of optics for optimal light distribution in a variety of applications: Type I, Type III, Type V or Type V Wide.
- Choice of color temperature (CCT): 5000K cool white, 4000K neutral white or 3000K warm white.
- Customize to the application requirements with three different globe options: clear polycarbonate, diffused polycarbonate, and clear glass.
- Seven standard mounting hood designs allow for mounting in any location. Uses same mounting hoods as Mercmaster III.
- Retrofit adapters for Crouse-Hinds™, Killark[◇] and Mercmaster II hoods available. See Mercmaster™ CH Adapters.

◇ Killark is a registered trademark of Hubbell Incorporated

✦ Crouse-Hinds is a registered trademarks of Cooper Crouse-Hinds.



IMLGL

- Hinge has high lip for added safety during installation and servicing. Hinge and bolt construction assures 360° compression at all points on fixture housing gasket for positive sealing. Swing away design of captive bolt and nut simplifies installation.
- Rugged housing with superior thermal design translates to long luminaire life.
- Luminaire housing has wiring compartment with terminal block separate for easy wiring access.
- Standard screw-type terminal block can accept UL/CSA 26-10 AWG wire.
- Standard 6 kV surge protection.
- Heavy duty, high temperature silicone gaskets.
- Photometric data and electronic drawings available upon request.
- Ambient Temperature: -20 °C to +55 °C (-4 °F to +131 °F)
- LED L70 reported at 60,000 hours.
- Field replaceable globes, battery management module (BMM), battery pack and LED driver.

Options

- Globe guard available, purchase separately
- Safety cable available, purchase separately
- Drain is available to divert water existing in the conduit system, purchase separately.

Standard Materials

- Mounting hoods and bodies: cast copperfree (4/10 of 1% max.) aluminum
- Gaskets: silicone
- All hardware and catch assemblies: stainless steel
- Globe: polycarbonate or glass

Standard Finishes

- Mounting hoods and bodies: gray epoxy powder coat finish, electrostatically applied for complete uniform protection

Related Products

- Mercmaster™ LED Generation 3 Luminaires
- Mercmaster™ LED Low Profile Luminaires
- Mercmaster™ LED Mounting Adapters

LED/AREA: NEC/CEC EMERGENCY

APPLETON™

Industrial Mercmaster™ LED Generation 3 Series Luminaires with Emergency Battery Backup

For Ordinary Locations

NEC/CEC:

CCSAus Listed

Type 3R, 4, 4X

IP66/IP67

Simultaneous Exposure

Suitable for Use in Wet Locations

NEC/CEC Certifications and Compliances

- UL Standard: UL 1598, Third Edition; UL 8750, Second Edition; UL 924, Tenth Edition
- CSA Standard: C22.2 No. 250.0-.00; C22.2 No. 250.13-2017; C22.2 No. 141-15
- cCSAus Listed: Master contract 164460
- Ambient Temperature: 120-277 Volts: -20 °C up to +55 °C (-4 °F up to +131 °F)

Design Lights™ Consortium

- Check DLC QPL for current list of products.

LED/AREA: NEC/CEC EMERGENCY

APPLETON™

Industrial Mercmaster™ LED Generation 3 Series Luminaires with Emergency Battery Backup

For Ordinary Locations

NEC/CEC:

CCSAus Listed

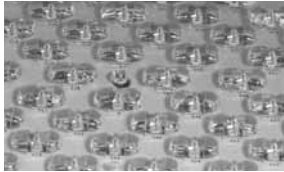
Type 3R, 4, 4X

IP66/IP67

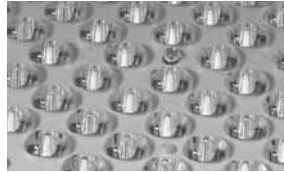
Simultaneous Exposure

Suitable for Use in Wet Locations

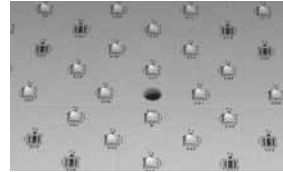
LED Flexibility and Modular Design



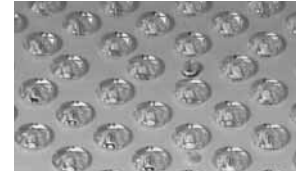
Type I - Long and narrow distribution pattern designed with walkways in mind.



Type III - Wall mounted distribution pattern designed where you need good forward light projection.



Type V - Symmetrical circle distribution pattern ideal when you need even coverage in all directions.



Type V Wide - Like the Type V distribution pattern with more vertical lumens designed to help spread the light quicker and more outwards.

Choose from **three color temperatures (CCT)**: 3000K, 4000K, and 5000K

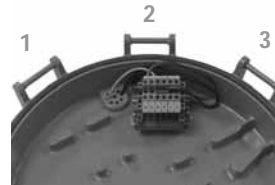
Four light distribution patterns: Type I, Type III, Type V and Type V wide for application flexibility.

Seven mounting hoods allow one fixture to be configured for ceiling, pendant, stanchion, or wall applications.

Three globes: clear and diffused polycarbonate and clear glass globe provide just the right level of diffusion.

Safety Features

Type I & Type III Hinge System



Latch Assembly and Hinge: Captive, stainless steel latch assembly (bolt and nut) closes securely while providing resistance to corrosive atmospheres. Swing-away design simplifies wiring and installation. Extra high hinge provides additional protection against accidental driver housing disengagement during installation or maintenance.

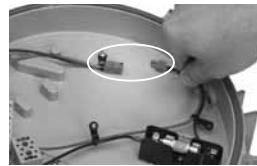
Type I & Type III light distribution patterns use a multiple hinged housing design which allows you to correctly line up the beam pattern in your desired direction. By using one of the three available hinges you can position the fixture for optimal light output.

Designed for the Environment



Driver housing design incorporates separate sections for the terminal block and driver. The efficient thermal design ensures reliable heat transfer from the LED assembly out via the heatsink and the cast, epoxy powder coat, aluminum body.

Quick Disconnect



Simple quick disconnect connector disconnects power between LEDs and battery management module to allow maintenance in hazardous locations.

Watertight Pendant Hood



New watertight pendant hood provides protection against water ingress in the conduit utilizing an IP68 cord grip with 3 wire holes 4 mm in diameter.

Safety Cable



Safety cable is slipped around the housing through retention points that are casted in. Safety cable has built in loops combined with a locking carabiner to allow for a quick and secure installation.

Field Changeable Duration Setting



Easy field changeable duration setting between 90 and 180 minutes.

LED/AREA: NEC/CEC EMERGENCY

APPLETON™

Industrial Mercmaster™ LED Generation 3 Series Luminaires with Emergency Battery Backup

For Ordinary Locations

NEC/CEC:

CCSAus Listed

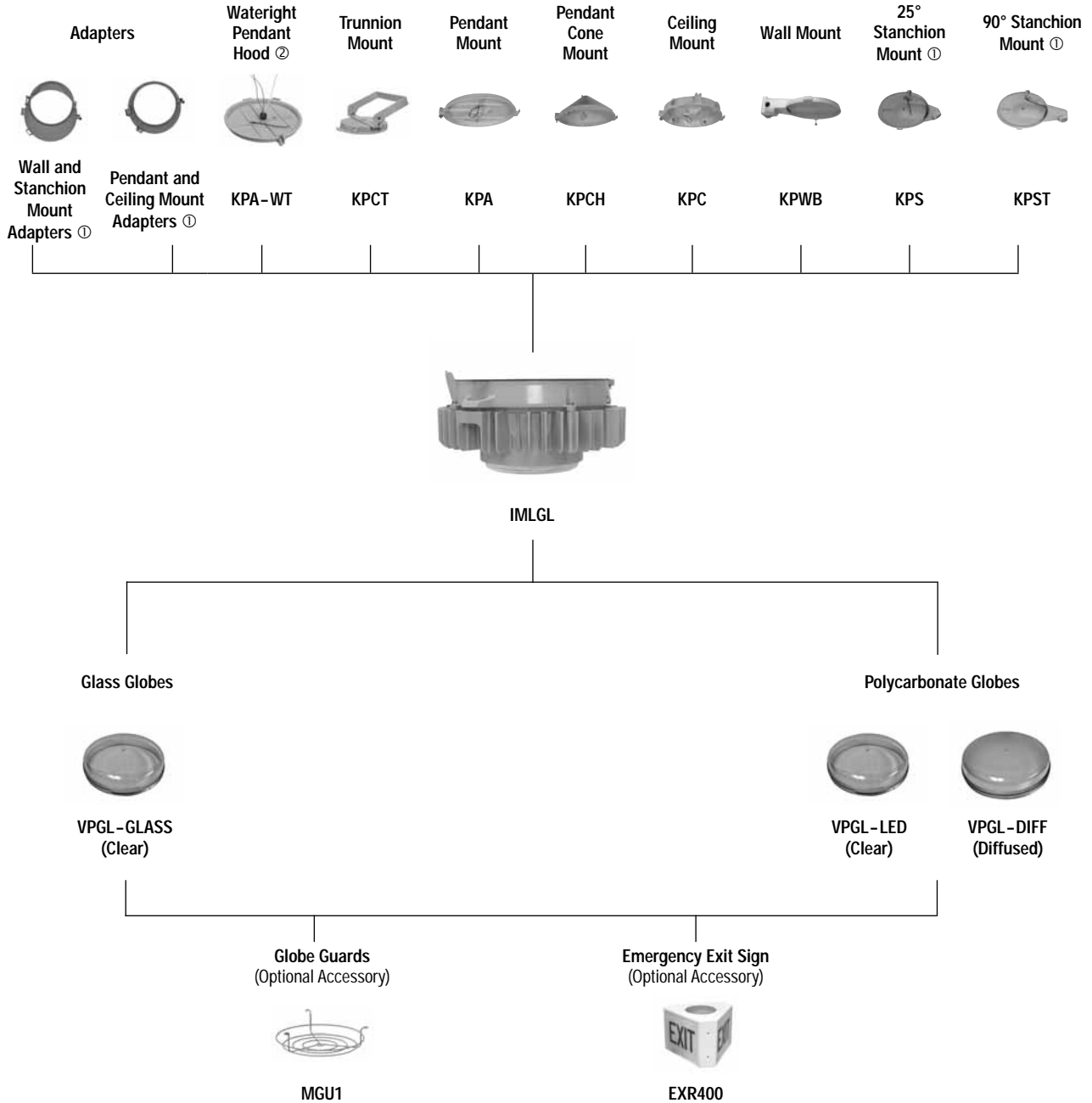
Type 3R, 4, 4X

IP66/IP67

Simultaneous Exposure

Suitable for Use in Wet Locations

Mercmaster™ LED Family Tree



① See mounting hood section for part numbers.

Industrial Mercmaster™ LED Generation 3 Series Luminaires with Emergency Battery Backup

For Ordinary Locations

NEC/CEC:

CCSAus Listed

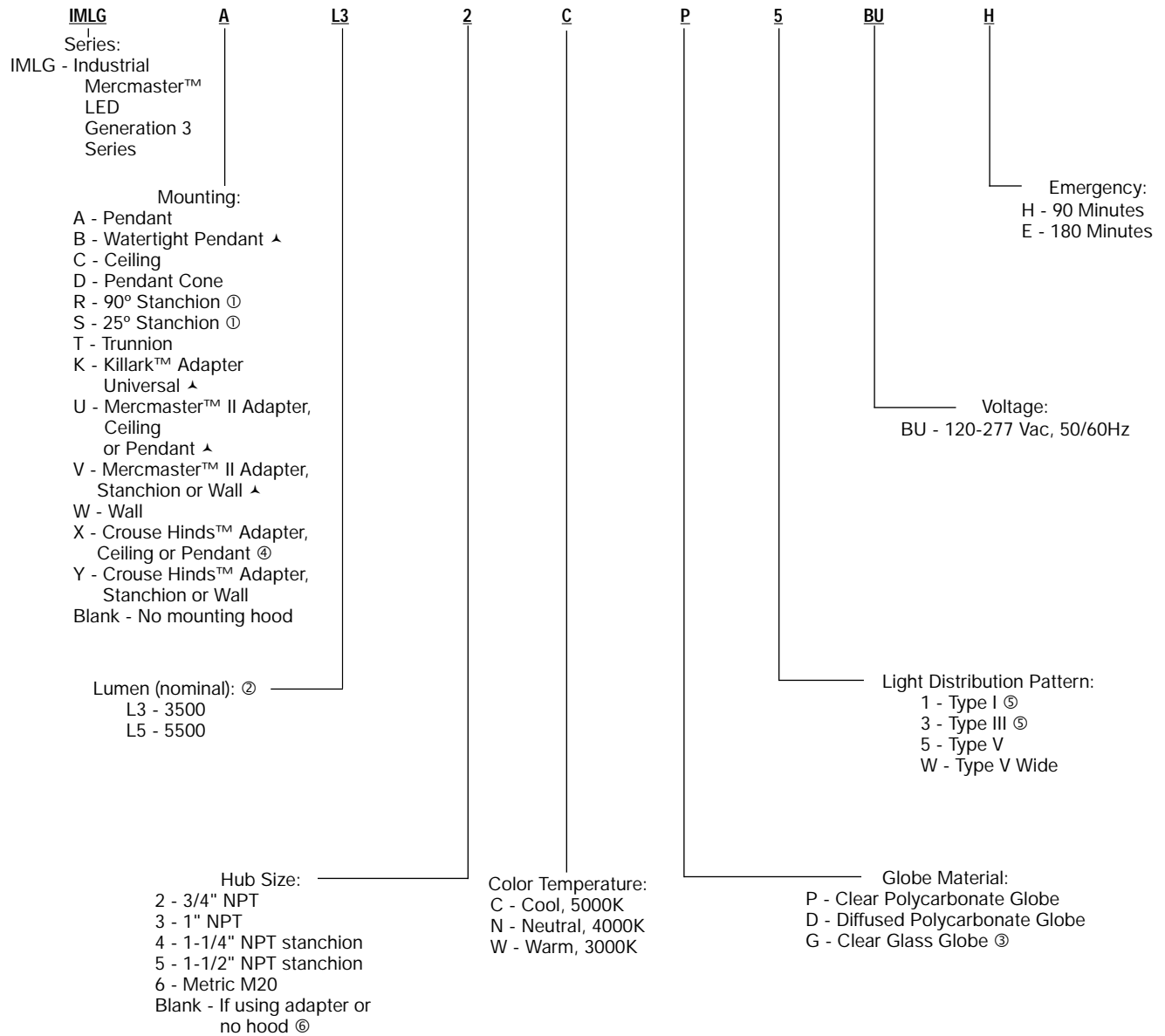
Type 3R, 4, 4X

IP66/IP67

Simultaneous Exposure

Suitable for Use in Wet Locations

Order using catalog numbering guides below or select catalog number from tables on following pages.



LED/AREA: NEC/CEC: EMERGENCY

APPLETON™

① 3/4" NPT, 1" NPT and Metric M20 hub entries are not offered in this mounting option
 ② For lumen output information, see Lumen Values Table.
 ③ Guards for the globes are ordered separately. See the Accessories for more information.
 ④ Only allowed for Type V and Type V wide light distribution.
 ⑤ Type I and Type III use a multiple hinge housing.
 ⑥ Hub size does not apply to luminaires ordered with adapters.
 ▲ Adapters only certified for cCSAus.

Industrial Mercmaster™ LED Generation 3 Series Luminaires with Emergency Battery Backup

For Ordinary Locations

NEC/CEC:

CCSAus Listed

Type 3R, 4, 4X

IP66/IP67

Simultaneous Exposure

Suitable for Use in Wet Locations

Lumen Values Table ①②

Lumen Output (Efficacy) for Clear Polycarbonate Globe			
		IMLGL3H	IMLGL5H
Type I	5000K CCT, 70 CRI	3200 (107)	4800 (104)
Type III	5000K CCT, 70 CRI	3500 (117)	5200 (113)
Type V	5000K CCT, 70 CRI	3800 (127)	5700 (124)
Type V Wide	5000K CCT, 70 CRI	3600 (119)	6000 (129)
Type I	4000K CCT, 80 CRI	3000 (100)	4200 (91)
Type III	4000K CCT, 80 CRI	3000 (100)	4600 (100)
Type V	4000K CCT, 80 CRI	3300 (110)	5000 (109)
Type V Wide	4000K CCT, 80 CRI	2900 (97)	4800 (105)
Type I	3000K CCT, 80 CRI	2600 (87)	3800 (83)
Type III	3000K CCT, 80 CRI	2800 (93)	4100 (89)
Type V	3000K CCT, 80 CRI	3000 (100)	4500 (98)
Type V Wide	3000K CCT, 80 CRI	2900 (96)	4400 (94)

Lumen Output (Efficacy) for Clear Glass Globe			
		IMLGL3H	IMLGL5H
Type I	5000K CCT, 70 CRI	3500 (117)	5300 (115)
Type III	5000K CCT, 70 CRI	3700 (123)	5400 (117)
Type V	5000K CCT, 70 CRI	4000 (133)	6000 (130)
Type V Wide	5000K CCT, 70 CRI	3600 (120)	5400 (117)
Type I	4000K CCT, 80 CRI	3100 (103)	4600 (100)
Type III	4000K CCT, 80 CRI	3200 (107)	4800 (104)
Type V	4000K CCT, 80 CRI	3600 (120)	5300 (115)
Type V Wide	4000K CCT, 80 CRI	3200 (107)	4800 (104)
Type I	3000K CCT, 80 CRI	2800 (93)	4200 (91)
Type III	3000K CCT, 80 CRI	3100 (102)	4400 (96)
Type V	3000K CCT, 80 CRI	3100 (102)	4800 (104)
Type V Wide	3000K CCT, 80 CRI	3100 (101)	4600 (99)

LED/AREA: NEC/CEC EMERGENCY

APPLETON

Industrial Mercmaster™ LED Generation 3 Series Luminaires with Emergency Battery Backup

For Ordinary Locations

NEC/CEC:

CCSAus Listed

Type 3R, 4, 4X

IP66/IP67

Simultaneous Exposure

Suitable for Use in Wet Locations

Lumen Output (Efficacy) for Diffused Polycarbonate Globe			
		IMLGL3	IMLGL5
Type I	5000K CCT, 70 CRI	3200 (108)	4900 (107)
Type III	5000K CCT, 70 CRI	3300 (112)	5100 (110)
Type V	5000K CCT, 70 CRI	3700 (123)	5500 (120)
Type V Wide	5000K CCT, 70 CRI	3400 (113)	5100 (110)
Type I	4000K CCT, 80 CRI	2900 (95)	4400 (94)
Type III	4000K CCT, 80 CRI	3000 (101)	4600 (100)
Type V	4000K CCT, 80 CRI	3200 (107)	4800 (104)
Type V Wide	4000K CCT, 80 CRI	3000 (101)	4600 (100)
Type I	3000K CCT, 80 CRI	2700 (87)	4000 (85)
Type III	3000K CCT, 80 CRI	2800 (92)	4200 (91)
Type V	3000K CCT, 80 CRI	2900 (97)	4400 (96)
Type V Wide	3000K CCT, 80 CRI	2800 (91)	4200 (90)

90 Minute Emergency Mode

Model		Lumens		
		Polycarbonate Clear Globe	Polycarbonate Diffused Globe	Glass Clear Globe
IMLGL3H	5000K CCT, 70 CRI	1400	1350	1450
IMLGL5H				
IMLGL3H	4000K CCT, 80 CRI	1280	1230	1330
IMLGL5H				
IMLGL3H	3000K CCT, 80 CRI	1100	1150	1200
IMLGL5H				

① All lumen values are typical (tolerance +/-10%).

② Diffused polycarbonate globe can be used with Type I, III and V wide. Refer to photometric files for lumen output information.

Industrial Mercmaster™ LED Generation 3 Series Luminaires with Emergency Battery Backup

For Ordinary Locations

NEC/CEC:

CCSAus Listed

Type 3R, 4, 4X

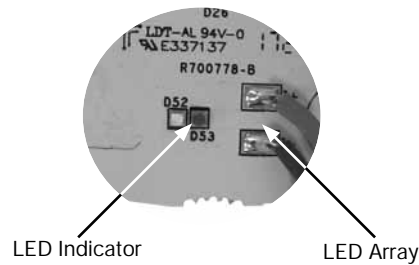
IP66/IP67

Simultaneous Exposure

Suitable for Use in Wet Locations

Automatic Testing System (ATS)	
Functional	Full Duration
Starts within 24 to 45 hours after the initial powerup of the module	Starts within 5 to 26 days after the initial power of the module
Occurs every 14 days after the initial aforementioned functional test	Occurs every 364 days after the initial aforementioned functional test
Lasts for 5 minutes	Lasts for the full duration of the rated emergency period

At the completion of functional and full duration tests, LED indicator will display the status of the emergency luminaire when AC is present



LED Signals		
Color	Timing	Description
Green	1 sec ON: 1 sec OFF	Normal charging ok, Battery not yet fully charged, No fault detected, Testing ok
Green	0.25 sec ON: 0.25 sec OFF	Functional / Duration Self-Test on-going
Green	Steady ON	Charging ok, Battery fully charged, No fault detected, Testing ok
Red	1 sec ON: 1 sec OFF	Fault condition. Installation issue. Battery is reverse, not connected or shorted. Functional test failure, full duration test failure
LED Indicators OFF, LED Array ON	LED Indicator Lights (Red and Green) OFF	No AC, Emergency mode ON

LED/AREA: NEC/CEC EMERGENCY

APPLETON™

Industrial Mercmaster™ LED Generation 3 Series Luminaires with Emergency Battery Backup

For Ordinary Locations

NEC/CEC:

CCSAus Listed

Type 3R, 4, 4X

IP66/IP67

Simultaneous Exposure

Suitable for Use in Wet Locations

Electrical Ratings ①

Model Number		Voltage	Input Power	Input Current (amp)	Power Factor	THD
IMLGL3H	BU	120 Vac	30	0.26	>0.9	< 20%
		277 Vac	30	0.12		
IMLGL5H	BU	120 Vac	46	0.39	>0.9	< 20%
		277 Vac	46	0.17		

① All values are typical (tolerance +/- 10%).

Industrial Mercmaster™ LED Generation 3 Series Luminaires with Emergency Battery Backup

For Ordinary Locations

NEC/CEC:

CCSAus Listed

Type 3R, 4, 4X

IP66/IP67

Simultaneous Exposure

Suitable for Use in Wet Locations

Catalog Number for Driver Housing and Globe

Lumen Level	CCT	Optics	Clear Polycarbonate Globe ①②		Polycarbonate Diffused Globe ①②		Clear Glass Globe ①②	
			90 Min	180 Min	90 Min	180 Min	90 Min	180 Min
3K	5000K	Type I	IMLGL3CP1BUH	IMLGL3CP1BUE	IMLGL3CD1BUH	IMLGL3CD1BUE	IMLGL3CG1BUH	IMLGL3CG1BUE
		Type III	IMLGL3CP3BUH	IMLGL3CP3BUE	IMLGL3CD3BUH	IMLGL3CD3BUE	IMLGL3CG3BUH	IMLGL3CG3BUE
		Type V	IMLGL3CP5BUH	IMLGL3CP5BUE	IMLGL3CD5BUH	IMLGL3CD5BUE	IMLGL3CG5BUH	IMLGL3CG5BUE
		Type V Wide	IMLGL3CPWBUH	IMLGL3CPWBUE	IMLGL3CDWBUH	IMLGL3CDWBUE	IMLGL3CGWBUH	IMLGL3CGWBUE
5K	5000K	Type I	IMLGL5CP1BUH	IMLGL5CP1BUE	IMLGL5CD1BUH	IMLGL5CD1BUE	IMLGL5CG1BUH	IMLGL5CG1BUE
		Type III	IMLGL5CP3BUH	IMLGL5CP3BUE	IMLGL5CD3BUH	IMLGL5CD3BUE	IMLGL5CG3BUH	IMLGL5CG3BUE
		Type V	IMLGL5CP5BUH	IMLGL5CP5BUE	IMLGL5CD5BUH	IMLGL5CD5BUE	IMLGL5CG5BUH	IMLGL5CG5BUE
		Type V Wide	IMLGL5CPWBUH	IMLGL5CPWBUE	IMLGL5CDWBUH	IMLGL5CDWBUE	IMLGL5CGWBUH	IMLGL5CGWBUE

LED/AREA: NEC/CEC EMERGENCY

APPLETON™

① For other CCT options, change the 6th digit in part number from "C" to "W" for Warm 3000K CCT or "N" for Neutral 4000K CCT.

Example: **MLGL7CP5BUH** to "W" for Warm, **MLGL7WP5BUH**.

② Guards are available. See following pages for accessory ordering information.

Industrial Mercmaster™ LED Generation 3 Series Luminaires with Emergency Battery Backup

For Ordinary Locations

NEC/CEC:









CCSAus Listed

Type 3R, 4, 4X

IP66/IP67

Simultaneous Exposure

Suitable for Use in Wet Locations

Mounting Hoods			
	Description Weight in kg (lbs)	Hub Size	Catalog Number
Pendant			
	One Hub, Rigid Mounting 1.0 (2.3)	3/4 1 M20	KPA-75 KPA-100 KPA-M20
Watertight Pendant Hood			
	One Hub	3/4 1	KPA-75-WT KPA-100-WT
Pendant Cone			
	One Hub, Rigid Mounting 1.1 (2.5)	3/4 1 M20	KPCH-75 KPCH-100 KPCH-M20
Trunnion			
	Five Hubs, Four Close-Up Plugs	3/4 1	KPCT-75 KPCT-100
Ceiling			
	Five Hubs, Four Close-Up Plugs 1.4 (3.0)	3/4 1 M20	KPC-75 KPC-100 KPC-M20
Wall			
	Five Hubs, Four Close-Up Plugs 1.8 (4.0)	3/4 1 M20	KPWB-75 KPWB-100 KPWB-M20
25° Stanchion			
	One Hub 1.5 (3.3)	1-1/4 1-1/2	KPS-125 KPS-150
90° Stanchion			
	One Hub 1.7 (3.8)	1-1/4 1-1/2	KPST-125 KPST-150

LED/AREA: NEC/CEC: EMERGENCY

APPLETON™

Industrial Mercmaster™ LED Generation 3 Series Luminaires with Emergency Battery Backup

For Ordinary Locations

NEC/CEC:

CCSAus Listed




Type 3R, 4, 4X

IP66/IP67




Simultaneous Exposure

Suitable for Use in Wet Locations

Mounting Hood Adapters ①

	Manufacturer	Installed Mounting Hood	Appleton Adapter Catalog Number
	Crouse-Hinds™ Champ	APM2/3 - Pendant CM2/3 - Ceiling HPM2 - Flexible Pendant	MMADCHVS
	Appleton™ Mercmaster™ II	LPA75/100 - Pendant LPC75/100 - Ceiling	MMADIIS
	Crouse-Hinds™ Champ	TWM2/3 - Wall JM5 - 25° Angle Stanchion PM5 - 90° Straight Stanchion	MMADCHVA
	Appleton™ Mercmaster™ II	LPWB75, LPWB100 - Wall LPS125, LPS150 - 25° Angle Stanchion	MMADIIA
	Killark™	VMX2B, VMX3B, VMX6B, VMX7B, VMX9B - Ceiling VMA2B, VMA3B - Pendant VMD4B, VMD5B, VMS4B, VMS5B - Stanchion VMB2B, VMB3B - Wall VMC2B, VMC3B - Pendant Cone	MMADKVA

Accessories and Replacement Parts

	Description Weight in kg (lbs)	Catalog Number
Globes and Gaskets		
	Clear Globe (polycarbonate) 0.2 (0.5)	VPGL-LED
	Diffused Globe (polycarbonate) 0.2 (0.5)	VPGL-DIFF
	Glass Globe — Clear 0.8 (1.7)	VPGL-GLASS

Luminaire Weights

Model Number	Weight in kg (lbs)
IMLGL3H	10.5 (23.2)
IMLGL5H	10.5 (23.2)

LED/AREA: NEC/CEC EMERGENCY

APPLETON™

Industrial Mercmaster™ LED Generation 3 Series Luminaires with Emergency Battery Backup

For Ordinary Locations

NEC/CEC:

CCSAus Listed








Type 3R, 4, 4X

IP66/IP67

Simultaneous Exposure

Suitable for Use in Wet Locations

Accessories and Replacement Parts

	Description Weight in kg (lbs)	Catalog Number			
Globe Guards and Safety Chain					
	Globe Guard 0.2 (0.4)	MGU1			
	Safety Cable 0.2 (0.4)	LEDSC			
Exit Sign					
	Emergency Exit sign	EXR-400			
Drain Plug					
	3" long, 1/2" trade size drain assembly used to divert water existing in the conduit system 0.4 (0.9)	LEDDR3			
Replacement Battery Pack					
		BPMLLED			
Replacement Battery Management Module					
		BMMLLED			
Replacement Fuse (Emergency system)		MLF3			
Replacement Drivers					
	Voltage	Driver Wattage	Luminaire Model	Constant Current Settings	Catalog Number
	BU	50 Watt	IMLGL3	500mA	APMS050C135UD50
	BH			500mA	APMS050C135HD50
	BU	50 Watt	IMLGL5	780mA	APMS050C135UD78
	BH			780mA	APMS050C135HD78

LED/AREA: NEC/CEC: EMERGENCY

APPLETON™

Industrial Mercmaster™ LED Generation 3 Series Luminaires with Emergency Battery Backup

For Ordinary Locations

NEC/CEC:

CCSAus Listed

Type 3R, 4, 4X

IP66/IP67

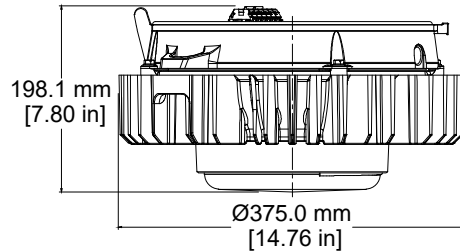
Simultaneous Exposure

Suitable for Use in Wet Locations

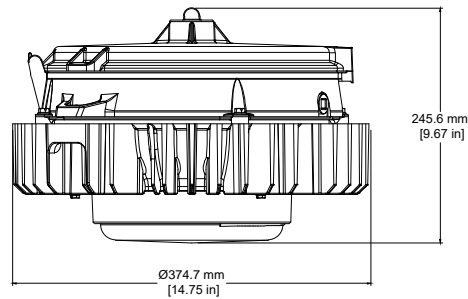
Dimensional Drawings

MLGL3H to MLGL5H

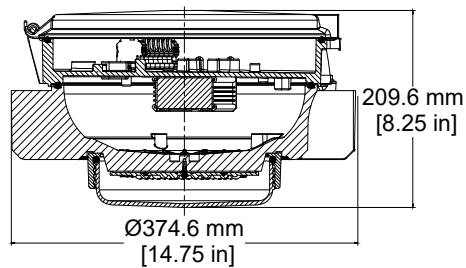
Driver Housing



Watertight Pendant



Pendant



LED/AREA: NEC/CEC EMERGENCY

APPLETON

Industrial Mercmaster™ LED Generation 3 Series Luminaires with Emergency Battery Backup

For Ordinary Locations

NEC/CEC:

CCSAus Listed

Type 3R, 4, 4X

IP66/IP67

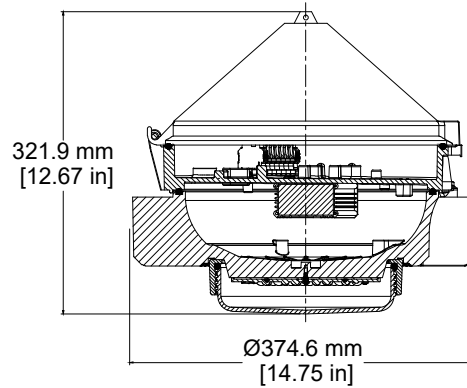
Simultaneous Exposure

Suitable for Use in Wet Locations

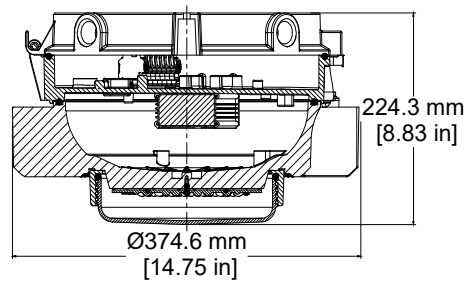
Dimensional Drawings

MLGL3H to MLGL5H

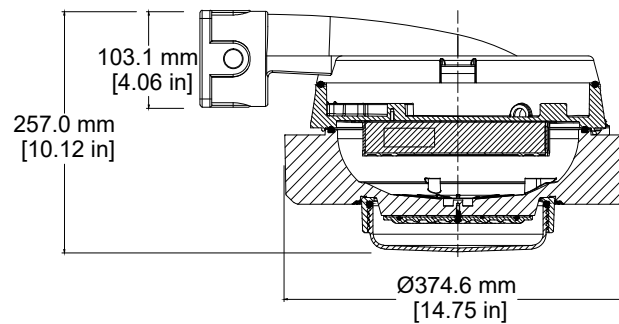
Pendant Cone



Ceiling



Wall Mount



LED/AREA: NEC/CEC EMERGENCY

APPLETON™

Industrial Mercmaster™ LED Generation 3 Series Luminaires with Emergency Battery Backup

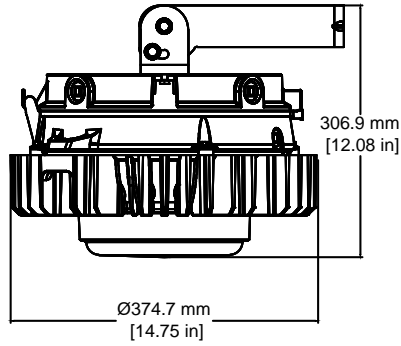
For Ordinary Locations

NEC/CEC:
 CCSAus Listed
 Type 3R, 4, 4X
 IP66/IP67
 Simultaneous Exposure
 Suitable for Use in Wet Locations

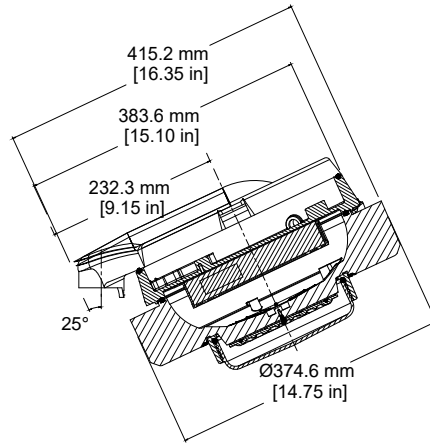
Dimensional Drawings

MLGL3H to MLGL5H

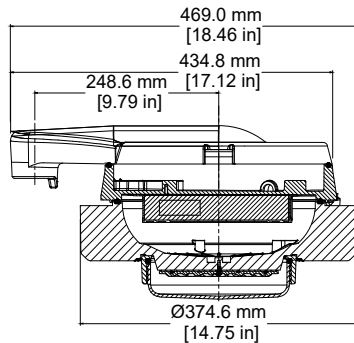
Trunnion Mount



25 Degree Stanchion



90 Degree Stanchion



LED/AREA: NEC/CEC EMERGENCY

APPLETON

Industrial Mercmaster™ LED Generation 3 Series Luminaires with Emergency Battery Backup

For Ordinary Locations

NEC/CEC:

CCSAus Listed

Type 3R, 4, 4X

IP66/IP67

Simultaneous Exposure

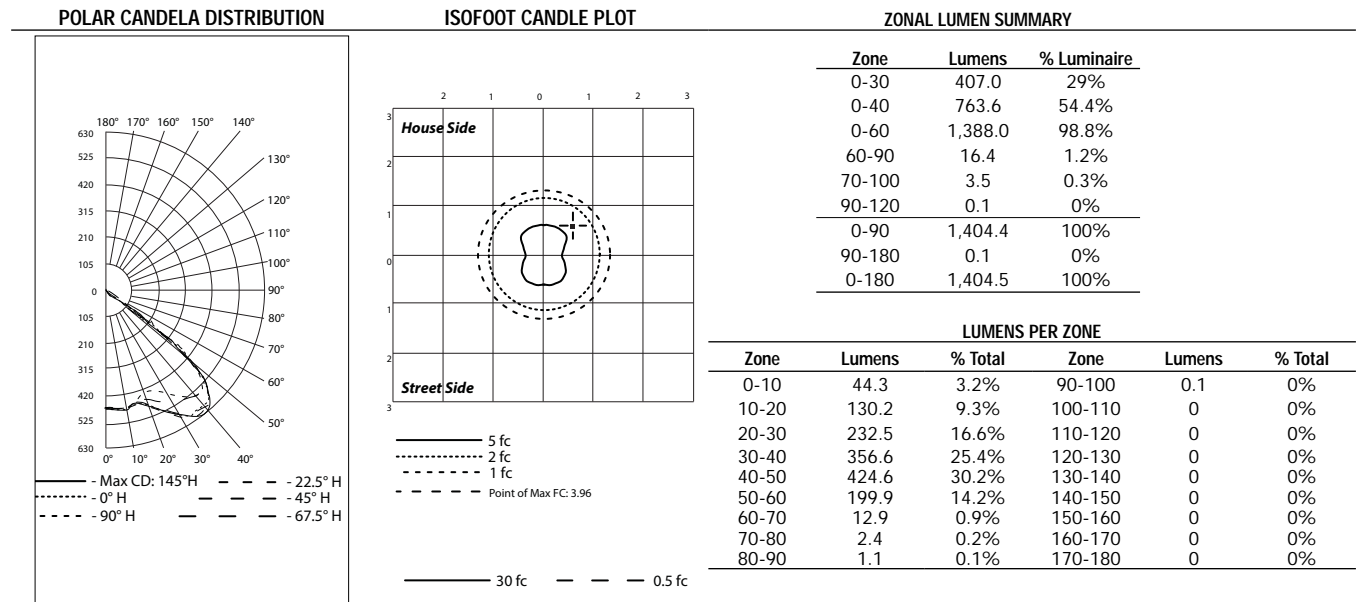
Suitable for Use in Wet Locations

Photometric Data — DATA SHOWN IS ABSOLUTE

Type V, Clear Polycarbonate 5000K CCT

REPORT NUMBER: MLLLED2CP5BUH+EMR

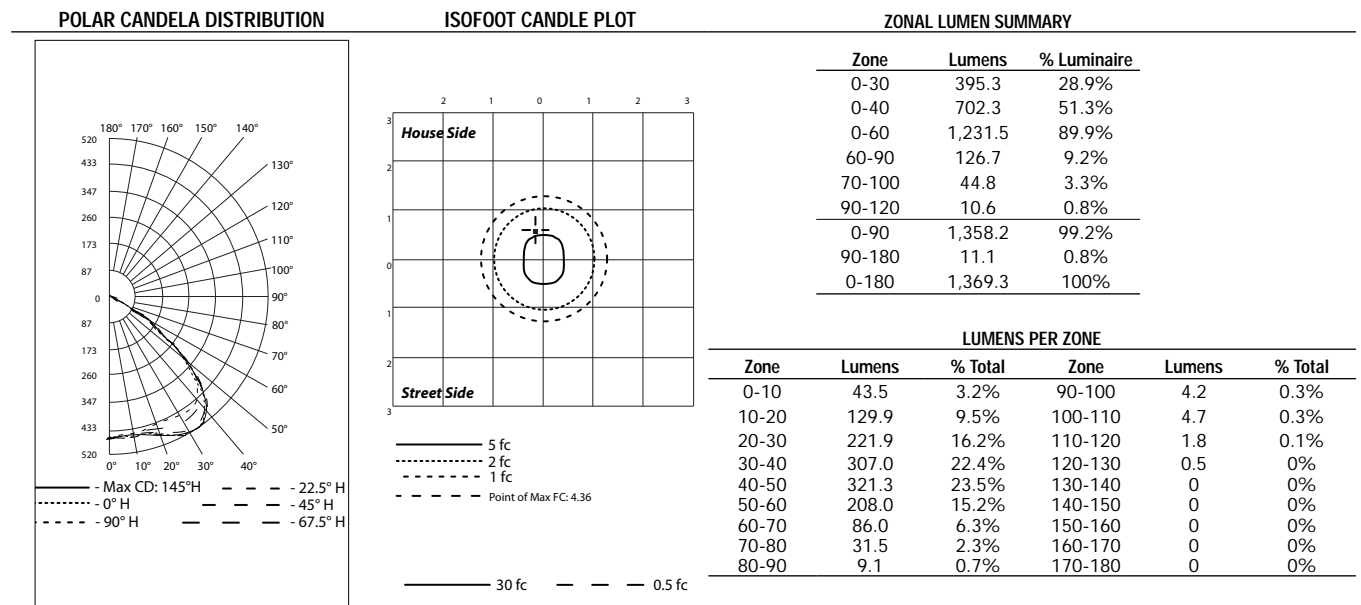
Luminaire Lumens 1,404



Type V, Diffused Polycarbonate 5000K CCT

REPORT NUMBER: MLLLED2CD5BUH+EMR

Luminaire Lumens 1,369



Industrial Mercmaster™ LED Generation 3 Series Luminaires with Emergency Battery Backup

For Ordinary Locations

NEC/CEC:

CCSAus Listed

Type 3R, 4, 4X

IP66/IP67

Simultaneous Exposure

Suitable for Use in Wet Locations

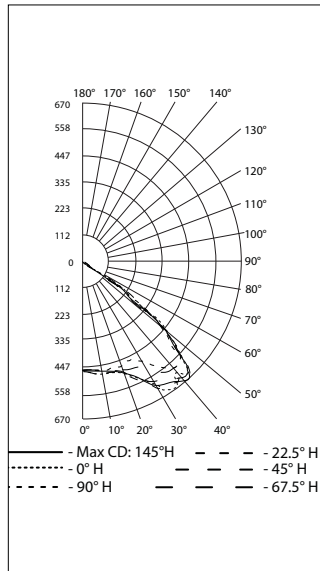
Photometric Data — DATA SHOWN IS ABSOLUTE

Type V, Clear Glass 5000K CCT

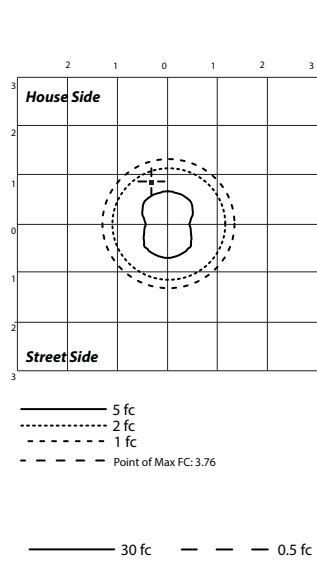
REPORT NUMBER: MLLED2CG5BUH+EMR

Luminaire Lumens 1,460

POLAR CANDELA DISTRIBUTION



ISOFOOT CANDLE PLOT



ZONAL LUMEN SUMMARY

Zone	Lumens	% Luminaire
0-30	420.1	28.8%
0-40	792.8	54.3%
0-60	1,443.4	98.8%
60-90	16.8	1.1%
70-100	3.0	0.2%
90-120	0.1	0%
0-90	1,460.2	100%
90-180	0.1	0%
0-180	1,460.2	100%

LUMENS PER ZONE

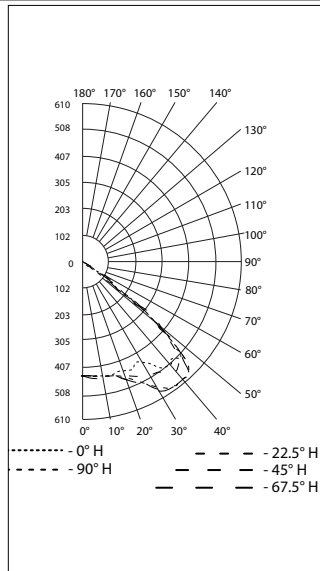
Zone	Lumens	% Total	Zone	Lumens	% Total
0-10	44.3	3.0%	90-100	0.1	0%
10-20	133.9	9.2%	100-110	0	0%
20-30	242.0	16.6%	110-120	0	0%
30-40	372.6	25.5%	120-130	0	0%
40-50	444.7	30.5%	130-140	0	0%
50-60	205.9	14.1%	140-150	0	0%
60-70	13.8	0.9%	150-160	0	0%
70-80	2.1	0.1%	160-170	0	0%
80-90	0.8	0.1%	170-180	0	0%

Type V, Clear Polycarbonate 4000K CCT

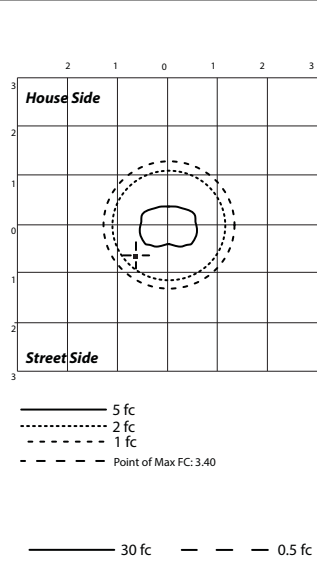
REPORT NUMBER: MLLED4NG5BUH+EMR

Luminaire Lumens 1,330

POLAR CANDELA DISTRIBUTION



ISOFOOT CANDLE PLOT



ZONAL LUMEN SUMMARY

Zone	Lumens	% Luminaire
0-30	392.5	29.5%
0-40	733.5	55.1%
0-60	1,315.4	98.9%
60-90	15.0	1.1%
70-100	2.6	0.2%
90-120	0	0%
0-90	1,330.4	100%
90-180	0	0%
0-180	1,330.4	100%

LUMENS PER ZONE

Zone	Lumens	% Total	Zone	Lumens	% Total
0-10	41.9	3.1%	90-100	0	0%
10-20	125.8	9.5%	100-110	0	0%
20-30	224.8	16.9%	110-120	0	0%
30-40	341.0	25.6%	120-130	0	0%
40-50	399.6	30.0%	130-140	0	0%
50-60	182.3	13.7%	140-150	0	0%
60-70	12.4	0.9%	150-160	0	0%
70-80	1.9	0.1%	160-170	0	0%
80-90	0.7	0.1%	170-180	0	0%

LED/AREA: NEC/CEC EMERGENCY

APPLETON™

Industrial Mercmaster™ LED Generation 3 Series Luminaires with Emergency Battery Backup

For Ordinary Locations

NEC/CEC:

CCSAus Listed

Type 3R, 4, 4X

IP66/IP67

Simultaneous Exposure

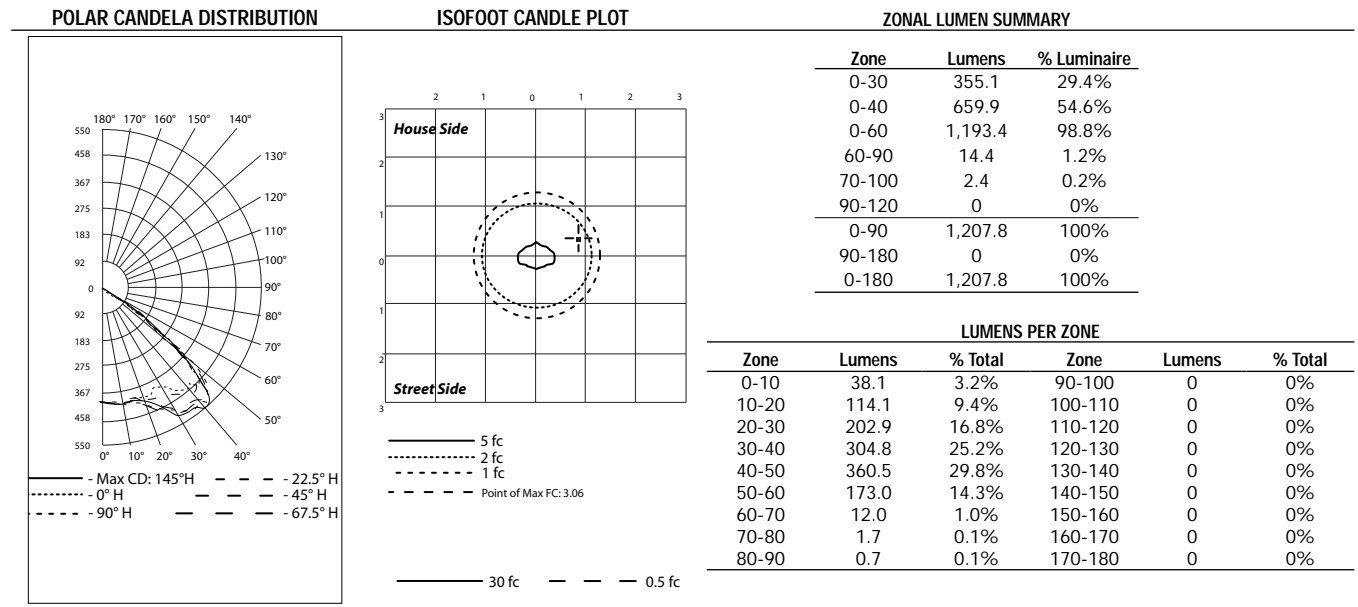
Suitable for Use in Wet Locations

Photometric Data — DATA SHOWN IS ABSOLUTE

Type V, Clear Glass 4000K CCT

REPORT NUMBER: MLLED4WG5BUH+EMR

Luminaire Lumens 1,207



LED/AREA: NEC/CEC EMERGENCY

APPLETON™